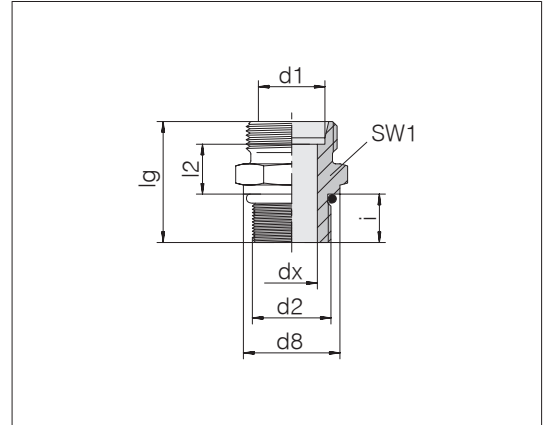


Male stud connectors

Male thread: UN/UNF, cylindrical
 Threaded stud: ISO 11926-2/3
 Abdichtungsart: O-Ring (Form F)
 Sealing material: Standard NBR

Tube coupling: 24° in acc. with ISO 8434-1

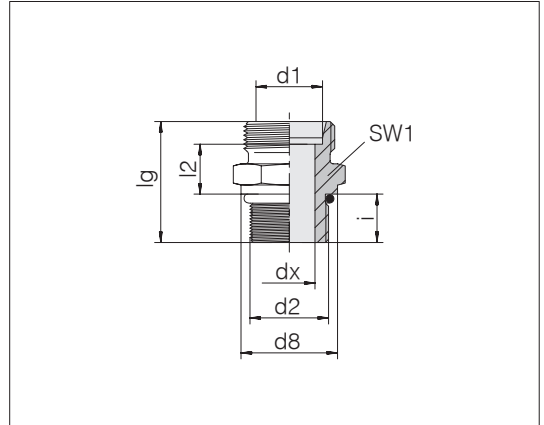


| Series | d2 | Pressure | d8 | dx | lg | l2 | SW1 | i | Nm -10 % | kg/100 ca. | Order-No. | Designation |
|--------|-----------------|----------|------|----|------|------|-----|------|-------------|---------------|------------|-----------------------|
| L 6 | 7/16-20 UNF-2A | PN 500 | 15.8 | 4 | 25 | 8.8 | 17 | 9.2 | 25 | 1.9 | 0782402000 | 24-SDS-L6-U7/16-20F |
| L 6 | 9/16-18 UNF-2A | PN 500 | 17.7 | 4 | 27 | 10 | 19 | 10 | 30 | 2.5 | 1782572000 | 24-SDS-L6-U9/16-18F |
| L 8 | 7/16-20 UNF-2A | PN 500 | 15.8 | 5 | 26.5 | 10.3 | 17 | 9.2 | 25 | 2.1 | 0782412000 | 24-SDS-L8-U7/16-20F |
| L 8 | 1/2-20 UNF-2A | PN 500 | 16.2 | 6 | 26.5 | 10.3 | 17 | 9.2 | 28 | 2.2 | 0782422000 | 24-SDS-L8-U1/2-20F |
| L 8 | 9/16-18 UNF-2A | PN 500 | 17.7 | 6 | 27 | 10 | 19 | 10 | 30 | 2.8 | 0782432000 | 24-SDS-L8-U9/16-18F |
| L 8 | 3/4-16 UNF-2A | PN 400 | 23 | 6 | 30 | 11.8 | 24 | 11.2 | 55 | 4.3 | 1782502000 | 24-SDS-L8-U3/4-16F |
| L 10 | 7/16-20 UNF-2A | PN 500 | 15.8 | 5 | 28 | 11.8 | 17 | 9.2 | 25 | 2.4 | 0782962000 | 24-SDS-L10-U7/16-20F |
| L 10 | 9/16-18 UNF-2A | PN 500 | 17.7 | 7 | 28 | 11 | 19 | 10 | 30 | 2.8 | 0782442000 | 24-SDS-L10-U9/16-18F |
| L 10 | 3/4-16 UNF-2A | PN 400 | 23 | 8 | 31 | 12.8 | 24 | 11.2 | 55 | 4.4 | 1782512000 | 24-SDS-L10-U3/4-16F |
| L 10 | 7/8-14 UNF-2A | PN 400 | 27 | 7 | 32.5 | 12.8 | 27 | 12.7 | 60 | 7.6 | 0782452000 | 24-SDS-L10-U7/8-14F |
| L 12 | 7/16-20 UNF-2A | PN 400 | 15.8 | 5 | 28.5 | 12.3 | 19 | 9.2 | 25 | 2.6 | 0782492000 | 24-SDS-L12-U7/16-20F |
| L 12 | 1/2-20 UNF-2A | PN 400 | 16.8 | 6 | 28.5 | 12.4 | 19 | 9.2 | 28 | 3.0 | 1782562000 | 24-SDS-L12-U1/2-20F |
| L 12 | 9/16-18 UNF-2A | PN 400 | 17.7 | 7 | 29.5 | 12.5 | 19 | 10 | 30 | 3.2 | 0782462000 | 24-SDS-L12-U9/16-18F |
| L 12 | 3/4-16 UNF-2A | PN 400 | 23 | 9 | 31 | 12.8 | 24 | 11.2 | 55 | 4.5 | 0782482000 | 24-SDS-L12-U3/4-16F |
| L 12 | 7/8-14 UNF-2A | PN 400 | 27 | 10 | 32.5 | 12.8 | 27 | 12.7 | 60 | 7.0 | 0782502000 | 24-SDS-L12-U7/8-14F |
| L 15 | 9/16-18 UNF-2A | PN 400 | 17.7 | 7 | 31 | 14 | 24 | 10 | 30 | 4.8 | 0782512000 | 24-SDS-L15-U9/16-18F |
| L 15 | 3/4-16 UNF-2A | PN 400 | 23 | 11 | 32 | 13.8 | 24 | 11.2 | 55 | 5.4 | 0782522000 | 24-SDS-L15-U3/4-16F |
| L 15 | 7/8-14 UNF-2A | PN 400 | 27 | 11 | 33.7 | 14 | 27 | 12.7 | 60 | 7.5 | 0782532000 | 24-SDS-L15-U7/8-14F |
| L 15 | 1 1/16-12 UN-2A | PN 400 | 32 | 12 | 37 | 15 | 32 | 15 | 110 | 11.7 | 1782482000 | 24-SDS-L15-U11/16-12F |
| L 15 | 1 5/16-12 UN-2A | PN 250 | 38.1 | 12 | 37 | 15 | 41 | 15 | 165 | 18.7 | 1782452000 | 24-SDS-L15-U15/16-12F |
| L 18 | 3/4-16 UNF-2A | PN 400 | 23 | 12 | 33 | 14.3 | 27 | 11.2 | 55 | 6.6 | 0782542000 | 24-SDS-L18-U3/4-16F |
| L 18 | 7/8-14 UNF-2A | PN 400 | 27 | 14 | 34.7 | 14.5 | 27 | 12.7 | 60 | 7.4 | 0782552000 | 24-SDS-L18-U7/8-14F |
| L 18 | 1 1/16-12 UN-2A | PN 400 | 32 | 15 | 37 | 14.5 | 32 | 15 | 110 | 9.6 | 0782902000 | 24-SDS-L18-U11/16-12F |
| L 18 | 1 5/16-12 UN-2A | PN 250 | 38.1 | 15 | 37 | 14.5 | 41 | 15 | 165 | 18.3 | 1782472000 | 24-SDS-L18-U15/16-12F |
| L 22 | 7/8-14 UNF-2A | PN 250 | 27 | 12 | 36.7 | 16.5 | 32 | 12.7 | 60 | 9.8 | 0782562000 | 24-SDS-L22-U7/8-14F |
| L 22 | 1 1/16-12 UN-2A | PN 250 | 32 | 18 | 39 | 16.5 | 32 | 15 | 110 | 10.2 | 0782572000 | 24-SDS-L22-U11/16-12F |
| L 22 | 1 5/16-12 UN-2A | PN 250 | 38.1 | 18 | 39 | 16.5 | 41 | 15 | 165 | 17.3 | 0782582000 | 24-SDS-L22-U15/16-12F |
| L 22 | 1 5/8-12 UN-2A | PN 250 | 48 | 19 | 40 | 17.5 | 50 | 15 | 220 | 28.7 | 1782462000 | 24-SDS-L22-U15/8-12F |

Male stud connectors

Male thread: UN/UNF, cylindrical
 Threaded stud: ISO 11926-2/3
 Abdichtungsart: O-Ring (Form F)
 Sealing material: Standard NBR

Tube coupling: 24° in acc. with ISO 8434-1



| Series | d2 | Pressure | d8 | dx | lg | l2 | SW1 | i | Nm -10 % | kg/100 ca. | Order-No. | Designation |
|---------------|-----------------|----------|------|----|------|------|-----|------|-------------|---------------|------------|-----------------------|
| Tube OD d1 | | | | | | | | | | | | |
| L 28 | 7/8-14 UNF-2A | PN 250 | 27 | 12 | 38 | 17.8 | 41 | 12.7 | 60 | 13.7 | 0782872000 | 24-SDS-L28-U7/8-14F |
| L 28 | 1 1/16-12 UN-2A | PN 250 | 32 | 18 | 40 | 17.5 | 41 | 15 | 110 | 14.3 | 0782592000 | 24-SDS-L28-U11/16-12F |
| L 28 | 1 5/16-12 UN-2A | PN 250 | 38.1 | 23 | 40 | 17.5 | 41 | 15 | 165 | 16.2 | 0782602000 | 24-SDS-L28-U15/16-12F |
| L 28 | 1 5/8-12 UN-2A | PN 250 | 48 | 24 | 40 | 17.5 | 50 | 15 | 220 | 26.4 | 0782922000 | 24-SDS-L28-U15/8-12F |
| L 35 | 1 3/16-12 UN-2A | PN 250 | 35 | 20 | 43 | 17.5 | 46 | 15 | 140 | 20.3 | 0782912000 | 24-SDS-L35-U13/16-12F |
| L 35 | 1 5/16-12 UN-2A | PN 250 | 39 | 23 | 43 | 17.5 | 46 | 15 | 165 | 21.1 | 0782612000 | 24-SDS-L35-U15/16-12F |
| L 35 | 1 5/8-12 UN-2A | PN 250 | 48 | 30 | 43 | 17.5 | 50 | 15 | 220 | 24.9 | 0782842000 | 24-SDS-L35-U15/8-12F |
| L 35 | 1 7/8-12 UN-2A | PN 250 | 54 | 30 | 45 | 19.5 | 55 | 15 | 260 | 31.2 | 0782972000 | 24-SDS-L35-U17/8-12F |
| L 42 | 1 5/8-12 UN-2A | PN 250 | 48 | 30 | 45 | 19 | 55 | 15 | 220 | 30.8 | 0782932000 | 24-SDS-L42-U15/8-12F |
| L 42 | 1 7/8-12 UN-2A | PN 250 | 54 | 36 | 45 | 19 | 55 | 15 | 260 | 31.6 | 0782622000 | 24-SDS-L42-U17/8-12F |
| S 6 | 7/16-20 UNF-2A | PN 800 | 15.8 | 4 | 29 | 12.8 | 17 | 9.2 | 30 | 2.7 | 0782642000 | 24-SDS-S6-U7/16-20F |
| S 8 | 7/16-20 UNF-2A | PN 800 | 15.8 | 4 | 31 | 14.8 | 17 | 9.2 | 30 | 3.2 | 0782882000 | 24-SDS-S8-U7/16-20F |
| S 8 | 1/2-20 UNF-2A | PN 800 | 16.2 | 5 | 31 | 14.8 | 17 | 9.2 | 45 | 3.4 | 0782652000 | 24-SDS-S8-U1/2-20F |
| S 8 | 9/16-18 UNF-2A | PN 800 | 17.7 | 5 | 32 | 15 | 19 | 10 | 75 | 4.5 | 0782632000 | 24-SDS-S8-U9/16-18F |
| S 10 | 9/16-18 UNF-2A | PN 800 | 17.7 | 7 | 32.5 | 15 | 19 | 10 | 75 | 4.1 | 0782662000 | 24-SDS-S10-U9/16-18F |
| S 10 | 3/4-16 UNF-2A | PN 800 | 23 | 7 | 33.7 | 15 | 24 | 11.2 | 100 | 6.6 | 0782672000 | 24-SDS-S10-U3/4-16F |
| S 12 | 9/16-18 UNF-2A | PN 800 | 17.7 | 7 | 34.5 | 17 | 22 | 10 | 75 | 5.5 | 1782422000 | 24-SDS-S12-U9/16-18F |
| S 12 | 3/4-16 UNF-2A | PN 630 | 23 | 8 | 36 | 17.3 | 24 | 11.2 | 100 | 7.4 | 0782692000 | 24-SDS-S12-U3/4-16F |
| S 12 | 7/8-14 UNF-2A | PN 630 | 27 | 8 | 37 | 16.8 | 27 | 12.7 | 160 | 9.7 | 0782702000 | 24-SDS-S12-U7/8-14F |
| S 14 | 9/16-18 UNF-2A | PN 630 | 17.7 | 7 | 37 | 19 | 24 | 10 | 75 | 6.8 | 0782712000 | 24-SDS-S14-U9/16-18F |
| S 14 | 3/4-16 UNF-2A | PN 630 | 23 | 10 | 38 | 18.8 | 24 | 11.2 | 100 | 7.6 | 0782722000 | 24-SDS-S14-U3/4-16F |
| S 16 | 3/4-16 UNF-2A | PN 630 | 23 | 12 | 38 | 18.3 | 27 | 11.2 | 100 | 8.1 | 0782732000 | 24-SDS-S16-U3/4-16F |
| S 16 | 7/8-14 UNF-2A | PN 630 | 27 | 12 | 37.5 | 16.3 | 27 | 12.7 | 160 | 8.7 | 0782742000 | 24-SDS-S16-U7/8-14F |
| S 16 | 1 1/16-12 UN-2A | PN 630 | 32 | 12 | 42 | 18.5 | 32 | 15 | 270 | 14.4 | 0782752000 | 24-SDS-S16-U11/16-12F |
| S 20 | 3/4-16 UNF-2A | PN 420 | 23 | 10 | 42 | 20.3 | 32 | 11.2 | 100 | 12.7 | 0782772000 | 24-SDS-S20-U3/4-16F |
| S 20 | 7/8-14 UNF-2A | PN 420 | 27 | 12 | 43.5 | 20.3 | 32 | 12.7 | 160 | 13.8 | 0782782000 | 24-SDS-S20-U7/8-14F |
| S 20 | 1 1/16-12 UN-2A | PN 420 | 32 | 16 | 46 | 20.5 | 32 | 15 | 430 | 15.0 | 0782792000 | 24-SDS-S20-U11/16-12F |
| S 20 | 1 5/16-12 UN-2A | PN 420 | 38.1 | 16 | 48 | 22.5 | 41 | 15 | 270 | 25.0 | 1782552000 | 24-SDS-S20-U15/16-12F |
| S 20 | 1 5/8-12 UN-2A | PN 420 | 48 | 16 | 48 | 22.5 | 50 | 15 | 450 | 36.5 | 1782412000 | 24-SDS-S20-U15/8-12F |

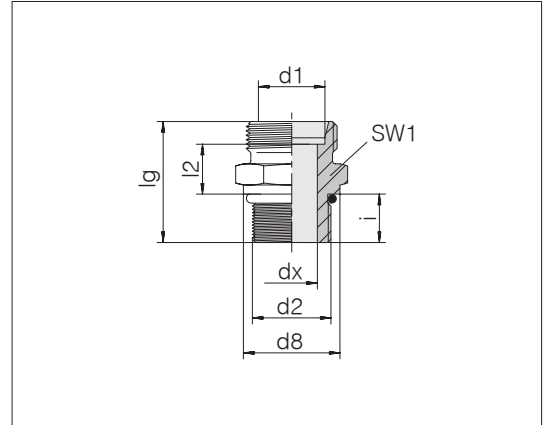
Continued on following page



Male stud connectors

Male thread: UN/UNF, cylindrical
 Threaded stud: ISO 11926-2/3
 Abdichtungsart: O-Ring (Form F)
 Sealing material: Standard NBR

Tube coupling: 24° in acc. with ISO 8434-1



| Series | d2 | Pressure | d8 | dx | lg | l2 | SW1 | i | Nm -10 % | kg/100 ca. | Order-No. | Designation |
|--------|-----------------|----------|------|----|----|------|-----|----|-------------|---------------|------------|-----------------------|
| S 25 | 1 1/16-12 UN-2A | PN 420 | 32 | 16 | 50 | 23 | 41 | 15 | 270 | 23.5 | 0782942000 | 24-SDS-S25-U11/16-12F |
| S 25 | 1 5/16-12 UN-2A | PN 420 | 38.1 | 20 | 50 | 23 | 41 | 15 | 430 | 25.7 | 0782802000 | 24-SDS-S25-U15/16-12F |
| S 30 | 1 1/16-12 UN-2A | PN 420 | 32 | 16 | 52 | 23.5 | 46 | 15 | 270 | 30.1 | 0782812000 | 24-SDS-S30-U11/16-12F |
| S 30 | 1 5/16-12 UN-2A | PN 420 | 38.1 | 22 | 52 | 23.5 | 46 | 15 | 430 | 30.7 | 0782822000 | 24-SDS-S30-U15/16-12F |
| S 30 | 1 5/8-12 UN-2A | PN 420 | 48 | 25 | 52 | 23.5 | 50 | 15 | 450 | 38.1 | 0782852000 | 24-SDS-S30-U15/8-12F |
| S 38 | 1 5/8-12 UN-2A | PN 315 | 48 | 25 | 57 | 26 | 55 | 15 | 450 | 51.6 | 0782952000 | 24-SDS-S38-U15/8-12F |
| S 38 | 1 7/8-12 UN-2A | PN 315 | 54 | 32 | 57 | 26 | 55 | 15 | 520 | 51.9 | 0782832000 | 24-SDS-S38-U17/8-12F |